

MET 1-PHASE SAFETY TRANSFORMER

P: 1000VA IN: 400VAC+/- 5% OUT: 24VAC

Single-phase safety transformer
1000 VA
Isolation class T 60/B

[Link to Product](#)**Illustration**

Product may differ from Image

Approvals**Input**

| | |
|-----------------------|-------------------|
| Input voltage | 400 V AC \pm 5% |
| Frequency | 50...60 Hz |
| Input current | 2.68 A (400 V AC) |
| Inrush current | 62.5 A (400 V AC) |
| Short-circuit current | 79.4 A (400 V AC) |

Output

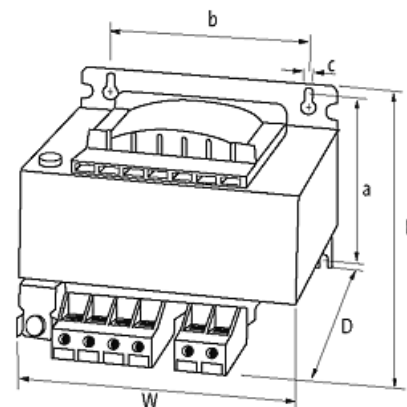
| | |
|----------------|----------------|
| Output voltage | 24 V AC (SELV) |
| Output rating | 1000 VA |

General data

| | |
|------------------------|---|
| Standards | EN 61558-1, EN 61558-2-6, EN 62041 category 0 |
| Test isolation voltage | 4 kV (prim./sec.) |
| Mounting method | Key-hole mounting |
| Temperature range | -20...+60 °C (storage temperature -40...+80 °C) |
| Fixing centers a×b×c | 111.5×135×7 mm |
| Dimensions H×W×D | 137×174×160 mm |
| Drill hole \emptyset | 7×11 mm |

Commercial data

| | |
|-----------------------|---------------|
| country of origin | CZ |
| customs tariff number | 85043180 |
| EAN | 4048879078870 |
| eClass | 27031302 |
| Packaging unit | 1 |

Sketch

Product may differ from Image